

## Compact repeater REpeato®

### Function

The **Compact repeater REpeato®** is the smallest repeater of the PROFIBUS world but despite its smallness it can keep up with the big ones. It regenerates the signals in edge steepness, level and duty factor. The repeater is capable of supplying 32 devices over the full line distance as permitted by directive up to a max. transfer rate of 12 Mbps. Instead of the standard PROFIBUS connector plug it is installed by direct plugging on the D-subminiature connector of a PROFIBUS device configured in the network.

Should the required place of installation be freely selectable, the PBMB module specifically developed for this purpose must be used. The voltage supply (+24 V) is converted internally through a DC/DC transformer to +5 V and directly fed to the repeater by a standard pin assignment 5 and 6.

### Instruction for use

The implementation of active spur lines is seen as a main field of use. Functions and operating states of the repeater are signalled by the integrated LED displays.

### Electrical parameters

- Voltage supply: +5 VDC realized via PIN 5 and 6 directly from the slave or additional module PBMB
- Baud rate: 9,6 kbps to 12 Mbps (automatic recognition)
- Power input: Approx. 100 mA
- Connection: Insulation displacement connector technology (segment 1 and 2)
- Connection: Via sub-D switch (segment 1)

### Ambient conditions

- Operation temperature: 0 °C to +60 °C
- Storage temperature: -25 °C to +75 °C
- Protective system: IP20

### Design

- Dimensions (H x W x D): 64 x 17 x 40 mm
- Weight: Approx. 40 g
- Material casing: Metallised plastic casing

### Status LED

<b>Power</b>	Blue	Flashing	Repeater is detecting transfer rate, „R“ OFF
		Steady light	Transfer rate was detected, „R“ OFF
<b>Error</b>	Green	Flashing	Repeater is detecting transfer rate, „R“ ON
		Steady light	Transfer rate was detected, „R“ ON
<b>Error</b>	Red		Failing data are recognized on segment 2. Frequency of flashing depends on number of error telegrams (permanent lightning possible).
<b>BUS</b>	Yellow		Data traffic on segment 2. Frequency of flashing depends on the baud rate and number of devices on the port (permanent lightning possible).

### Ordering details

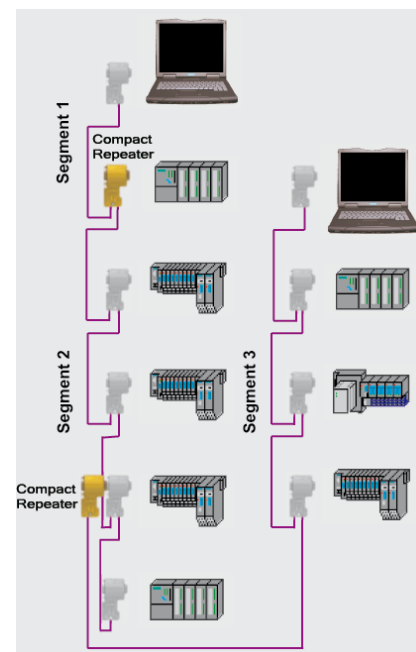
Compact repeater REpeato®

### Art. No.

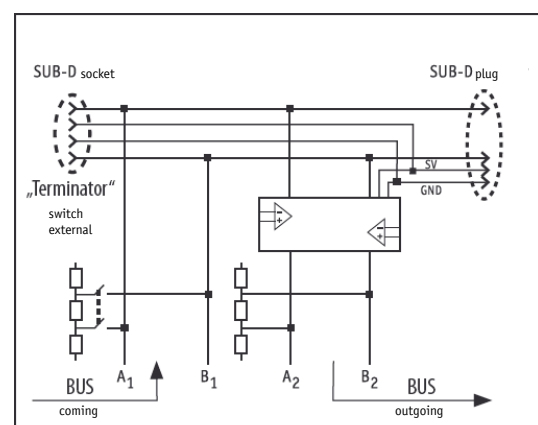
110030004



Compact repeater REpeato®



Example of use



Interface diagram