

Repeater IP67 MR (rough conditions)

Function

With the **Repeater IP67** it is possible to build up two galvanically separated PROFIBUS-DP segments. By using repeaters, up to 126 PROFIBUS DP users can operate via one master (maximum 32 users per segment). The transfer rate is automatically recognized. According to the PROFIBUS guideline the termination is done at the beginning and end of a segment.

The use of IP67 repeaters creates two galvanically isolated segments.

Bus connection

According to the PROFIBUS guidelines, the PROFIBUS DP is connected through inversely encoded M12x1 plug-and socket connectors. The supply voltage is fed via a standard 7/8" plug-and-socket connector.

Electrical parameters

- Supply voltage: 24 VDC (18 to 30,2 V)
- Permissible transmission rate: 9.6 kbps to 12 Mbps

Ambient conditions

- Operating temperature: 0 °C to +55 °C
- Industrial protection: IEC 60529 / EN 60529
IP67 and NEMA 1, 3, 4, 12, 13

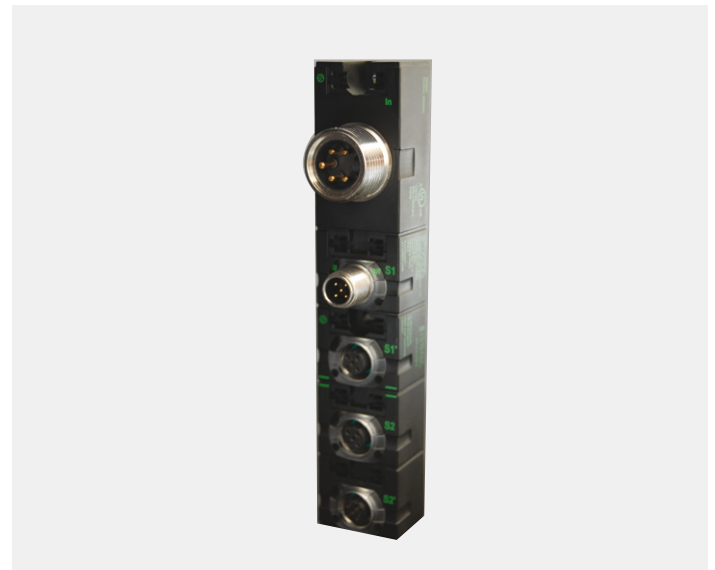
Not needed plug-and-socket connectors have to be screwed with the plastic caps provided for that purpose.

Design

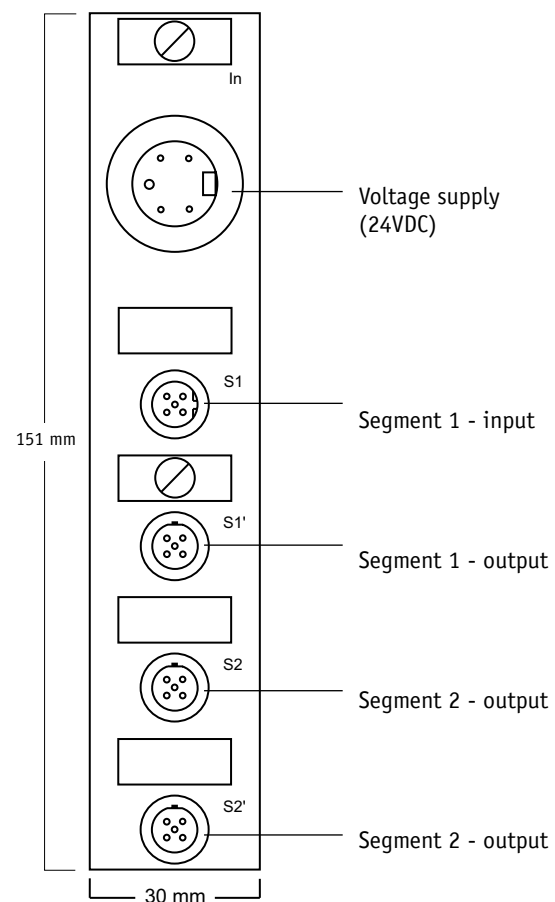
- Casing: Dimensions (H x W x D):
36 x 151 x 30 mm
- Installation: 2-hole screw fixing
- Connections: Main power supply through 7/8" plug
PROFIBUS through M12 plug
(B-encoded)
- Electrical isolation: The PROFIBUS segments 1 and 2
are galvanically isolated.

Status display

- Communication to fieldbus: LED green static - „OK“
- Internal communication US: LED static - „OK“
LED flashing - no data exchange



Repeater IP67 MR (rough conditions)



Engineering drawing

Ordering details

Art. No.

Repeater IP67 MR (rough conditions)

110030002